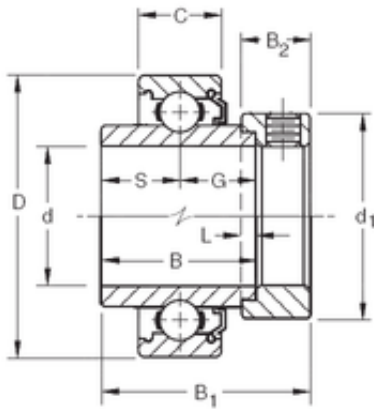




NACHI BEARINGS TRAINING INDUSTRY

????Gates Timken Timing Belt Water Pump Kit with Tensioners For Honda Acura????



Bearing 2D drawings and 3D CAD models

Bearing No.

Size	12.7x40x27.78 mm
Bore Diameter	12,7 mm
Outer Diameter	40 mm
Width	27,78 mm
d	12,7 mm
D	40 mm
B	27,78 mm
C	12 mm
d1	28,58 mm
B1	37,31 mm
B2	13,49 mm
G	13,89 mm
L	3,97 mm
S	13,89 mm
Weight	0,168 Kg
Basic dynamic load rating (C)	10,7 kN