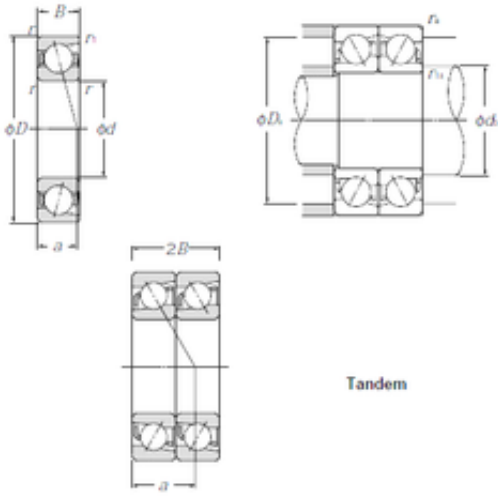




NACHI BEARINGS TRAINING INDUSTRY



12 mm x 37 mm x 12 mm CYSD 7301BDT
angular contact ball bearings

Bearing No. 7301BDT

Size	12x37x12 mm
Bore Diameter	12 mm
Outer Diameter	37 mm
Width	12 mm
d	12 mm
D	37 mm
B	12 mm
C	12 mm
Angle ()	40 °
r min.	1 mm
2B	24 mm
Weight	0,09 Kg
Basic dynamic load rating (C)	17,1 kN
Basic static load rating (C0)	9,9 kN
(Grease) Lubrication Speed	16000 r/min

7301BDT Bearing 2D drawings and 3D CAD models