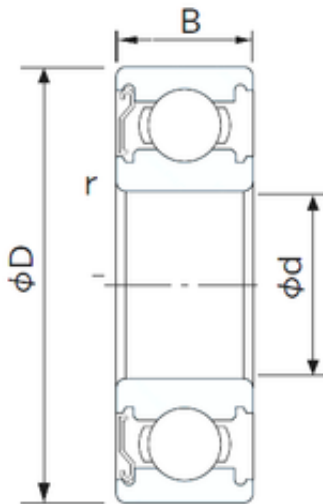




NACHI BEARINGS TRAINING INDUSTRY



190 mm x 290 mm x 46 mm CYSD 6038-Z deep groove ball bearings

Bearing No. 6038-Z

Size	190x290x46 mm
Bore Diameter	190 mm
Outer Diameter	290 mm
Width	46 mm
d	190 mm
D	290 mm
B	46 mm
C	46 mm
r min.	2,1 mm
Weight	9,39 Kg
Basic dynamic load rating (C)	188 kN
Basic static load rating (C0)	201 kN
(Grease) Lubrication Speed	2000 r/min

6038-Z Bearing 2D drawings and 3D CAD models