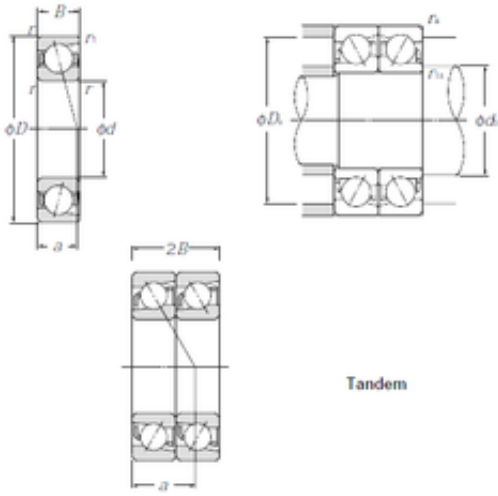




NACHI BEARINGS TRAINING INDUSTRY



140 mm x 250 mm x 42 mm CYSD 7228BDT
angular contact ball bearings

Bearing No. 7228BDT

Size	140x250x42 mm
Bore Diameter	140 mm
Outer Diameter	250 mm
Width	42 mm
d	140 mm
D	250 mm
B	42 mm
C	42 mm
Angle ()	40 °
r min.	3 mm
2B	84 mm
Weight	17,56 Kg
Basic dynamic load rating (C)	297 kN
Basic static load rating (C0)	390 kN
(Grease) Lubrication Speed	1900 r/min

7228BDT Bearing 2D drawings and 3D CAD models