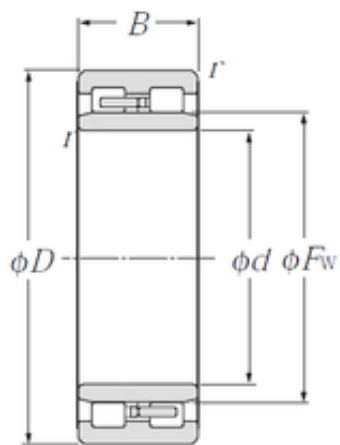




NACHI BEARINGS TRAINING INDUSTRY



140 mm x 190 mm x 50 mm CYSD
 NNU4928/W33 cylindrical roller bearings

Bearing No. NNU4928/W33

Size	140x190x50 mm
Bore Diameter	140 mm
Outer Diameter	190 mm
Width	50 mm
d	140 mm
Fw	156 mm
D	190 mm
B	50 mm
C	50 mm
Weight	4,1 Kg
Basic dynamic load rating (C)	380 kN
Dynamic load rating radial (C)	380 kN
(Grease) Lubrication Speed	2800 r/min

NNU4928/W33 Bearing 2D drawings and 3D CAD models