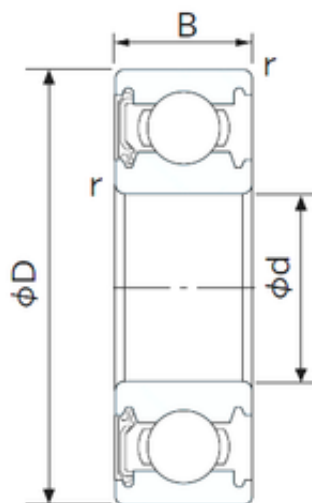




NACHI BEARINGS TRAINING INDUSTRY



85 mm x 150 mm x 28 mm CYSD 6217-RS deep groove ball bearings

Bearing No. 6217-RS

Size	85x150x28 mm
Bore Diameter	85 mm
Outer Diameter	150 mm
Width	28 mm
d	85 mm
D	150 mm
B	28 mm
C	28 mm
r min.	2 mm
Weight	1,76 Kg
Basic dynamic load rating (C)	84 kN
Basic static load rating (C0)	62 kN

6217-RS Bearing 2D drawings and 3D CAD models