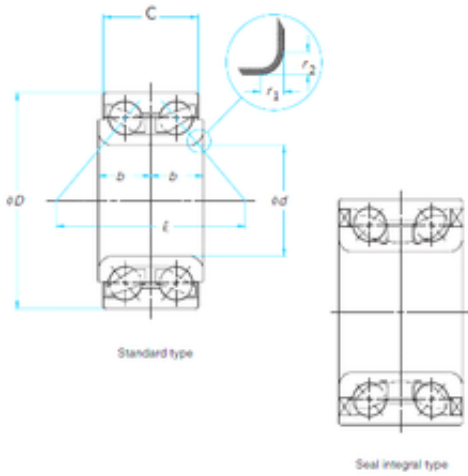




# NACHI BEARINGS TRAINING INDUSTRY



41 mm x 75 mm x 37 mm CYSD DAC4175037  
angular contact ball bearings

Bearing No. DAC4175037

Size	41x75x37 mm
Bore Diameter	41 mm
Outer Diameter	75 mm
Width	37 mm
d	41 mm
D	75 mm
B	37 mm
C	37 mm

DAC4175037 Bearing 2D drawings and 3D CAD models