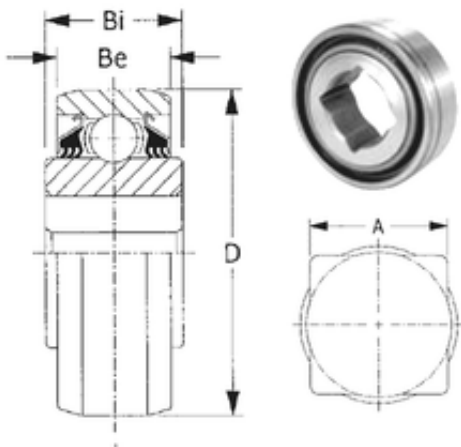




NACHI BEARINGS TRAINING INDUSTRY



28,575 mm x 85,75 mm x 39,52 mm CYSD
W208PP12 deep groove ball bearings

Bearing No. W208PP12

Size	28.575x85.75x39.52 mm
Bore Diameter	28,575 mm
Outer Diameter	85,75 mm
Width	39,52 mm
d	28,575 mm
D	85,75 mm
B	39,52 mm
C	30,175 mm
Be	30,175 mm
Bi	39,52 mm

W208PP12 Bearing 2D drawings and 3D CAD models