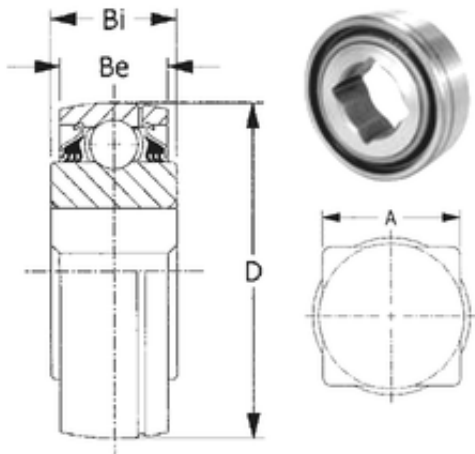




# NACHI BEARINGS TRAINING INDUSTRY



28,575 mm x 80 mm x 36,52 mm CYSD  
GW208PPB8 deep groove ball bearings

Bearing No. GW208PPB8

|                |                    |
|----------------|--------------------|
| Size           | 28.575x80x36.52 mm |
| Bore Diameter  | 28,575 mm          |
| Outer Diameter | 80 mm              |
| Width          | 36,52 mm           |
| d              | 28,575 mm          |
| D              | 80 mm              |
| B              | 36,52 mm           |
| C              | 30,175 mm          |
| Be             | 30,175 mm          |
| Bi             | 36,52 mm           |

GW208PPB8 Bearing 2D drawings and 3D CAD models