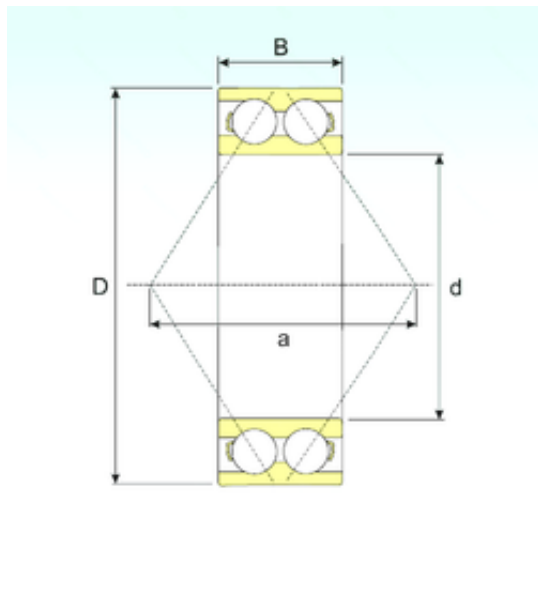




NACHI BEARINGS TRAINING INDUSTRY



25 mm x 52 mm x 20,6 mm CYSD 3205 angular contact ball bearings

Bearing No. 3205

Size	25x52x20.6 mm
Bore Diameter	25 mm
Outer Diameter	52 mm
Width	20,6 mm
d	25 mm
D	52 mm
B	20,6 mm
C	20,6 mm
r min.	1 mm
Weight	0,19 Kg
Basic dynamic load rating (C)	18,9 kN
Basic static load rating (C0)	18,2 kN
(Grease) Lubrication Speed	7800 r/min

3205 Bearing 2D drawings and 3D CAD models