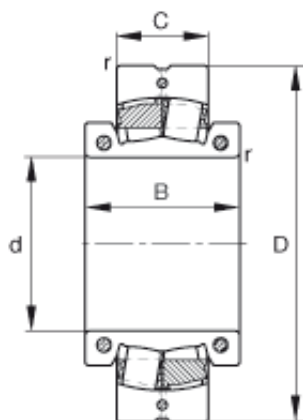




NACHI BEARINGS TRAINING INDUSTRY



14 inch x 620 mm x 270 mm FAG 231S.1400 spherical roller bearings

Bearing No. 231S.1400

231S.1400 Bearing 2D drawings and 3D CAD models

Size	355.6x620x194 mm
Bore Diameter	355,6 mm
Outer Diameter	620 mm
Width	194 mm
d	355,6 mm
d	14 inch
D	620 mm
C	194 mm
B	270 mm
r_{\min}	5 mm
m	273 kg / Weight
C_r	3900000 N / Dynamic load rating (radial)
e	0,3
Y_1	2,28
Y_2	3,39
C_{0r}	6950000 N / Static load rating (radial)
Y_0	2,23
n_G	350 1/min / Limiting speed
C_{ur}	420000 N / Fatigue limit load, radial
$F_{a \max}$	60000 N / Permissible axial load, for inner ring without axial abutment
M_i	295 Nm / Tightening torque



NACHI BEARINGS TRAINING INDUSTRY

	per clamping screw
--	--------------------