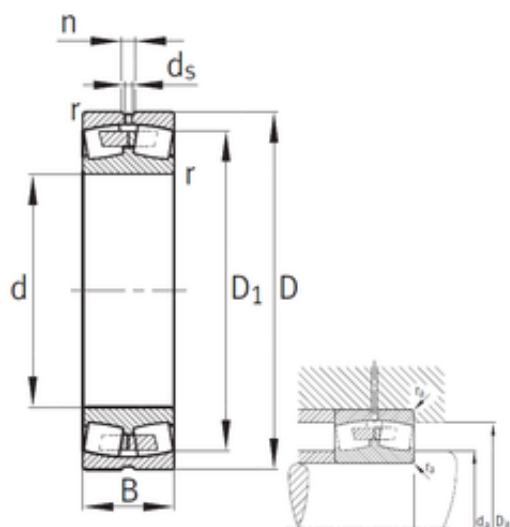




NACHI BEARINGS TRAINING INDUSTRY



220 mm x 370 mm x 150 mm FAG 24144-B
spherical roller bearings

Bearing No. 24144-B

Size	220x370x150 mm
Bore Diameter	220 mm
Outer Diameter	370 mm
Width	150 mm
d	220 mm
D	370 mm
B	150 mm
C	150 mm
n	12,2 mm
r min.	4 mm
D1	311,7 mm
da min.	237 mm
Da max.	353 mm
ra max.	3 mm
d5	6,3 r/min
Weight	65,6 Kg
Basic dynamic load rating (C)	1900 kN
Basic static load rating (C0)	3450 kN
Fatigue load limit (Pu)	197
Reference speed	720 r/min
Limiting speed	1 300 r/min
Calculation factor (e)	0,41
Calculation factor (Y0)	1,6
Calculation factor (Y1)	1,63

24144-B Bearing 2D drawings and 3D CAD models