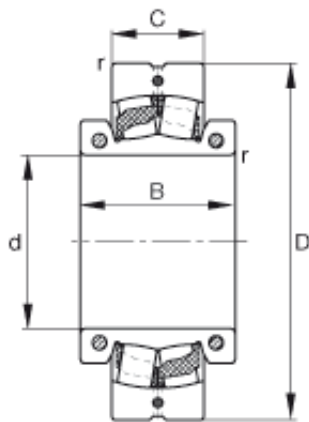




NACHI BEARINGS TRAINING INDUSTRY



6 15/16 inch x 340 mm x 142 mm FAG 222S.615 spherical roller bearings

Bearing No. 222S.615

222S.615 Bearing 2D drawings and 3D CAD models

Size	176.213x340x92 mm
Bore Diameter	176,213 mm
Outer Diameter	340 mm
Width	92 mm
d	176,213 mm
d	6 15/16 inch
D	340 mm
C	92 mm
B	142 mm
r_{\min}	4 mm
m	44,2 kg / Weight
C_r	1140000 N / Dynamic load rating (radial)
e	0,25
Y_1	2,71
Y_2	4,04
C_{0r}	1630000 N / Static load rating (radial)
Y_0	2,65
n_G	860 1/min / Limiting speed
C_{ur}	111000 N / Fatigue limit load, radial
$F_{a \max}$	22200 N / Permissible axial load, for inner ring without axial abutment
M_i	69 Nm / Tightening torque



NACHI BEARINGS TRAINING INDUSTRY

	per clamping screw
M_a	35 Nm / Tightening torque per clamping screw
	22238K / Designation, spherical roller bearing, unsplit
	H3138.615
SNW38.615	Designation, adapter sleeve, US design