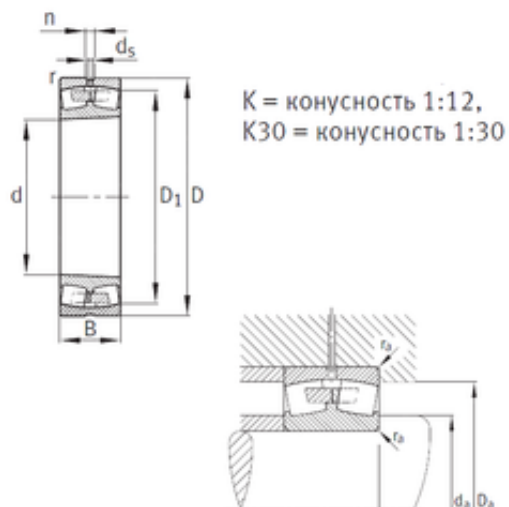




# NACHI BEARINGS TRAINING INDUSTRY



K = конусность 1:12,  
K30 = конусность 1:30

320 mm x 540 mm x 176 mm FAG 23164-K-MB spherical roller bearings

Bearing No. 23164-K-MB

23164-K-MB Bearing 2D drawings and 3D CAD models

Size	320x540x176 mm
Bore Diameter	320 mm
Outer Diameter	540 mm
Width	176 mm
d	320 mm
D	540 mm
B	176 mm
C	176 mm
n	23,5 mm
r min.	5 mm
D1	466,2 mm
da min.	340 mm
Da max.	520 mm
ra max.	4 mm
d5	12,5 r/min
Weight	159 Kg
Basic dynamic load rating (C)	3200 kN
Basic static load rating (C0)	6000 kN
Fatigue load limit (Pu)	305
Reference speed	650 r/min
Limiting speed	950 r/min
Calculation factor (e)	0,34
Calculation factor (Y0)	1,93
Calculation factor (Y1)	1,98