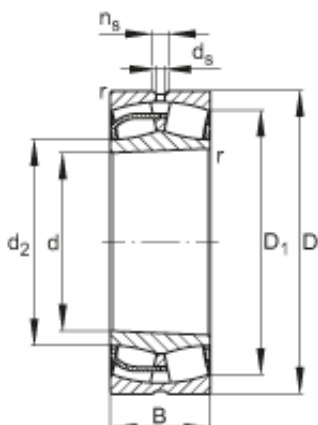




NACHI BEARINGS TRAINING INDUSTRY



240 mm x 360 mm x 92 mm FAG 23048-E1-K
spherical roller bearings

Bearing No. 23048-E1-K

23048-E1-K Bearing 2D drawings and 3D CAD models

Size	240x360x92 mm
Bore Diameter	240 mm
Outer Diameter	360 mm
Width	92 mm
d	240 mm
D	360 mm
B	92 mm
D ₁	324,6 mm
D _{a max}	347,6 mm
d ₂	269,5 mm
d _{a min}	252,4 mm
d _s	8 mm
n _s	15 mm
r _{a max}	2,5 mm
r _{min}	3 mm
m	31,6 kg / Weight
C _r	1350000 N / Dynamic load rating (radial)
e	0,23
Y ₁	2,98
Y ₂	4,44
C _{0r}	2120000 N / Static load rating (radial)
Y ₀	2,92



NACHI BEARINGS TRAINING INDUSTRY

n_G	2080 1/min / Limiting speed
n_B	1330 1/min
C_{ur}	204000 N / Fatigue limit load, radial