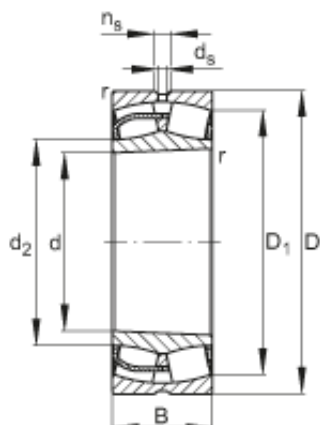




NACHI BEARINGS TRAINING INDUSTRY



260 mm x 440 mm x 180 mm FAG
24152-E1-K30 spherical roller bearings

Bearing No. 24152-E1-K30

24152-E1-K30 Bearing 2D drawings and 3D CAD models

Size	260x440x180 mm
Bore Diameter	260 mm
Outer Diameter	440 mm
Width	180 mm
d	260 mm
D	440 mm
B	180 mm
D_1	370,6 mm
$D_{a \max}$	423 mm
d_2	292,2 mm
$d_{a \min}$	277 mm
d_s	8 mm
n_s	15 mm
$r_{a \max}$	3 mm
r_{\min}	4 mm
m	108 kg / Weight
C_r	3150000 N / Dynamic load rating (radial)
e	0,4
Y_1	1,67
Y_2	2,49
C_{0r}	4900000 N / Static load rating (radial)
Y_0	1,63



NACHI BEARINGS TRAINING INDUSTRY

n_G	1290 1/min / Limiting speed
n_B	570 1/min
C_{ur}	390000 N / Fatigue limit load, radial