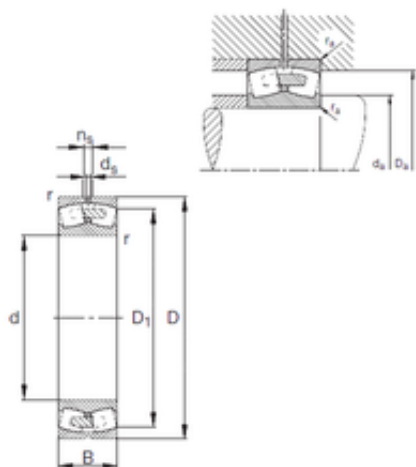




NACHI BEARINGS TRAINING INDUSTRY

600 mm x 870 mm x 272 mm FAG 240/600-E1A-MB1 spherical roller bearings



Bearing No. 240/600-E1A-MB1

Size	600x870x272 mm
Bore Diameter	600 mm
Outer Diameter	870 mm
Width	272 mm
d	600 mm
D	870 mm
B	272 mm
C	272 mm
n	23,5 mm
r min.	6 mm
D1	779,9 mm
da min.	623 mm
Da max.	847 mm
ra max.	5 mm
d5	12,5 r/min
Weight	539 Kg
Basic dynamic load rating (C)	8300 kN
Basic static load rating (C0)	16600 kN
Fatigue load limit (Pu)	1250
Reference speed	290 r/min
Limiting speed	630 r/min
Calculation factor (e)	0,28
Calculation factor (Y0)	2,35
Calculation factor (Y1)	2,41
Calculation factor (Y2)	3,59

240/600-E1A-MB1 Bearing 2D drawings and 3D CAD models



NACHI BEARINGS TRAINING INDUSTRY