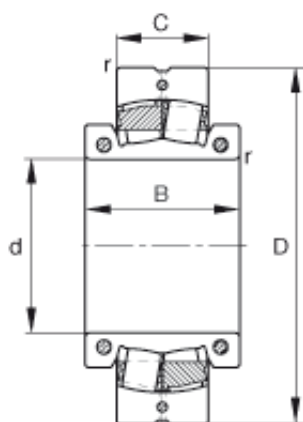




NACHI BEARINGS TRAINING INDUSTRY



240 mm x 440 mm x 210 mm FAG
231SM240-MA spherical roller bearings

Bearing No. 231SM240-MA

231SM240-MA Bearing 2D drawings and 3D CAD models

| | |
|----------------|---|
| Size | 240x440x144 mm |
| Bore Diameter | 240 mm |
| Outer Diameter | 440 mm |
| Width | 144 mm |
| d | 240 mm |
| D | 440 mm |
| C | 144 mm |
| B | 210 mm |
| r_{\min} | 4 mm |
| m | 118 kg / Weight |
| C_r | 1860000 N / Dynamic load rating (radial) |
| e | 0,3 |
| Y_1 | 2,28 |
| Y_2 | 3,39 |
| C_{0r} | 3050000 N / Static load rating (radial) |
| Y_0 | 2,23 |
| n_G | 580 1/min / Limiting speed |
| C_{ur} | 218000 N / Fatigue limit load, radial |
| $F_{a \max}$ | 32000 N / Permissible axial load, for inner ring without axial abutment |
| M_i | 120 Nm / Tightening torque per clamping screw |
| | |



NACHI BEARINGS TRAINING INDUSTRY

| | |
|-------|---|
| M_a | 69 Nm / Tightening torque per clamping screw |
| | 23152K / Designation, spherical roller bearing, unsplit |
| | H3152X / Adapter sleeve |