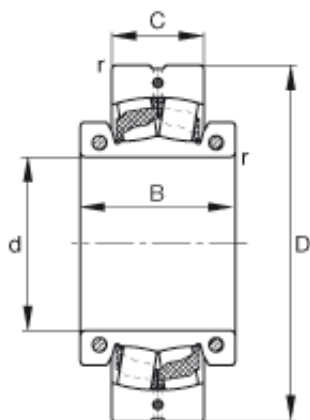




# NACHI BEARINGS TRAINING INDUSTRY



60 mm x 120 mm x 55 mm FAG  
222SM60-TVPA spherical roller bearings

Bearing No. 222SM60-TVPA

Size	60x120x31 mm
Bore Diameter	60 mm
Outer Diameter	120 mm
Width	31 mm
d	60 mm
D	120 mm
C	31 mm
B	55 mm
$r_{\min}$	1,5 mm
m	2,08 kg / Weight
$C_r$	137000 N / Dynamic load rating (radial)
e	0,23
$Y_1$	2,98
$Y_2$	4,44
$C_{0r}$	156000 N / Static load rating (radial)
$Y_0$	2,92
$n_G$	2850 1/min / Limiting speed
$C_{ur}$	15400 N / Fatigue limit load, radial
$F_{a \max}$	5400 N / Permissible axial load, for inner ring without axial abutment
$M_i$	9 Nm / Tightening torque per clamping screw

222SM60-TVPA Bearing 2D drawings and 3D CAD models



## NACHI BEARINGS TRAINING INDUSTRY

$M_a$	4 Nm / Tightening torque per clamping screw
	22213K / Designation, spherical roller bearing, unsplit
	H313 / Adapter sleeve