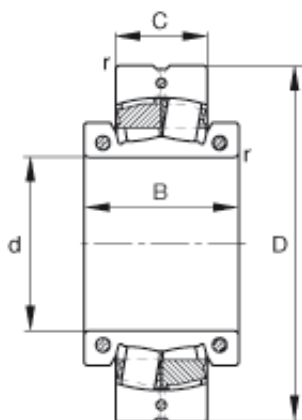




NACHI BEARINGS TRAINING INDUSTRY



8 inch x 400 mm x 162 mm FAG 222S.800
spherical roller bearings

Bearing No. 222S.800

222S.800 Bearing 2D drawings and 3D CAD models

Size	203.2x400x108 mm
Bore Diameter	203,2 mm
Outer Diameter	400 mm
Width	108 mm
d	203,2 mm
d	8 inch
D	400 mm
C	108 mm
B	162 mm
r_{\min}	4 mm
m	74,7 kg / Weight
C_r	1340000 N / Dynamic load rating (radial)
e	0,25
Y_1	2,69
Y_2	4
C_{0r}	1900000 N / Static load rating (radial)
Y_0	2,63
n_G	760 1/min / Limiting speed
C_{ur}	121000 N / Fatigue limit load, radial
$F_{a \max}$	32000 N / Permissible axial load, for inner ring without axial abutment
M_i	120 Nm / Tightening torque



NACHI BEARINGS TRAINING INDUSTRY

	per clamping screw
M_a	69 Nm / Tightening torque per clamping screw
	22244K / Designation, spherical roller bearing, unsplit
	H3144X.800
SNW44.800	Designation, adapter sleeve, US design