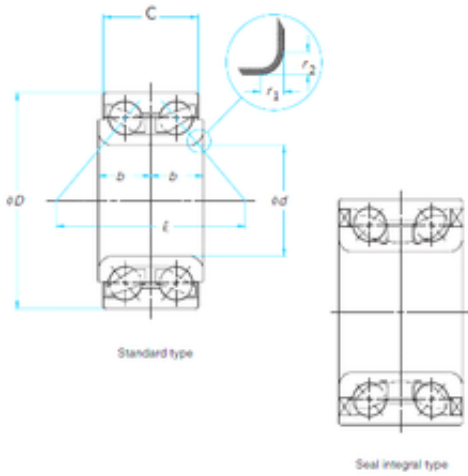




NACHI BEARINGS TRAINING INDUSTRY



39 mm x 72 mm x 37 mm FAG 805699 angular contact ball bearings

Bearing No. 805699

Size	39x72x37 mm
Bore Diameter	39 mm
Outer Diameter	72 mm
Width	37 mm
d	39 mm
D	72 mm
B	37 mm
C	37 mm
Weight	0,6 Kg

805699 Bearing 2D drawings and 3D CAD models