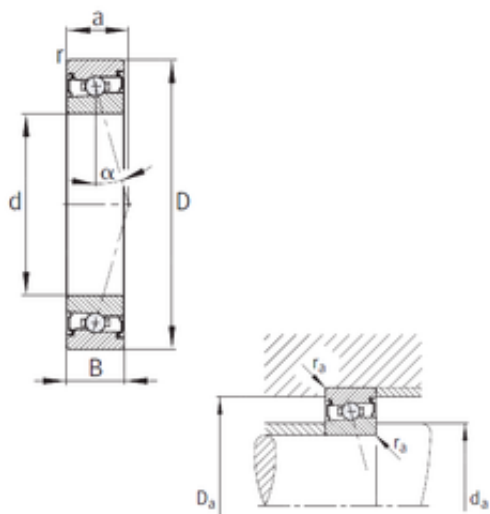




## NACHI BEARINGS TRAINING INDUSTRY



90 mm x 140 mm x 24 mm FAG HCS7018-C-T-P4S angular contact ball bearings

Bearing No. HCS7018-C-T-P4S

Size	90x140x24 mm
Bore Diameter	90 mm
Outer Diameter	140 mm
Width	24 mm
d	90 mm
D	140 mm
B	24 mm
C	24 mm
Angle ( ° )	15 °
a	27 mm
r min.	1,5 mm
Da	131 mm
ra max.	1,5 mm
da	100 mm
Weight	1,19 Kg
Basic dynamic load rating (C)	26 kN
Basic static load rating (C0)	30 kN
(Grease) Lubrication Speed	14 000 r/min

HCS7018-C-T-P4S Bearing 2D drawings and 3D CAD models