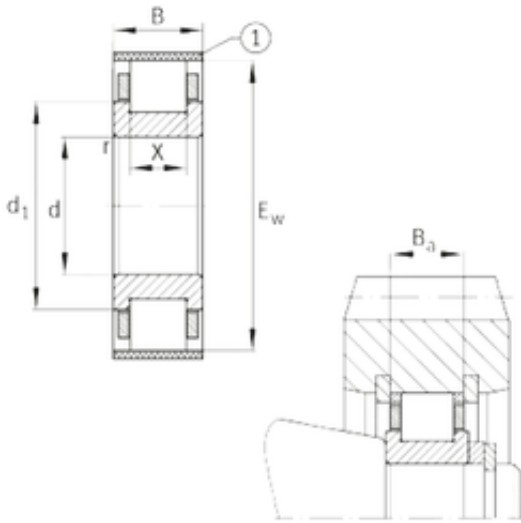




# NACHI BEARINGS TRAINING INDUSTRY



## FAG RN212-E-MPBX cylindrical roller bearings

Bearing No. RN212-E-MPBX

Size	60x100x22 mm
Bore Diameter	60 mm
Outer Diameter	100 mm
Width	22 mm
d	60 mm
Ew	100 mm
B	22 mm
Ba	19,2 mm
X	14 mm
d1	77,5 mm
r min.	1,5 mm
Weight	0,64 Kg
Basic dynamic load rating (C)	111 000 kN
Basic static load rating (C0)	104 000 kN

RN212-E-MPBX Bearing 2D drawings and 3D CAD models