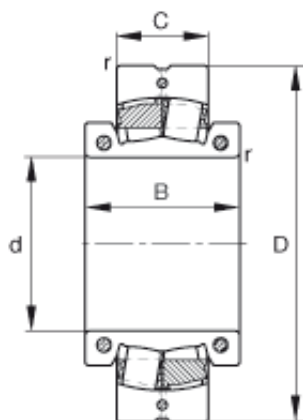




NACHI BEARINGS TRAINING INDUSTRY



240 mm x 400 mm x 160 mm FAG
230SM240-MA spherical roller bearings

Bearing No. 230SM240-MA

230SM240-MA Bearing 2D drawings and 3D CAD models

| | |
|----------------|---|
| Size | 240x400x104 mm |
| Bore Diameter | 240 mm |
| Outer Diameter | 400 mm |
| Width | 104 mm |
| d | 240 mm |
| D | 400 mm |
| C | 104 mm |
| B | 160 mm |
| r_{\min} | 4 mm |
| m | 57,4 kg / Weight |
| C_r | 1220000 N / Dynamic load rating (radial) |
| e | 0,22 |
| Y_1 | 3,04 |
| Y_2 | 4,53 |
| C_{0r} | 2120000 N / Static load rating (radial) |
| Y_0 | 2,97 |
| n_G | 690 1/min / Limiting speed |
| C_{ur} | 177000 N / Fatigue limit load, radial |
| $F_{a \max}$ | 32000 N / Permissible axial load, for inner ring without axial abutment |
| M_i | 120 Nm / Tightening torque per clamping screw |
| | |



NACHI BEARINGS TRAINING INDUSTRY

| | |
|-------|---|
| M_a | 69 Nm / Tightening torque per clamping screw |
| | 23052K / Designation, spherical roller bearing, unsplit |
| | H3052 / Adapter sleeve |