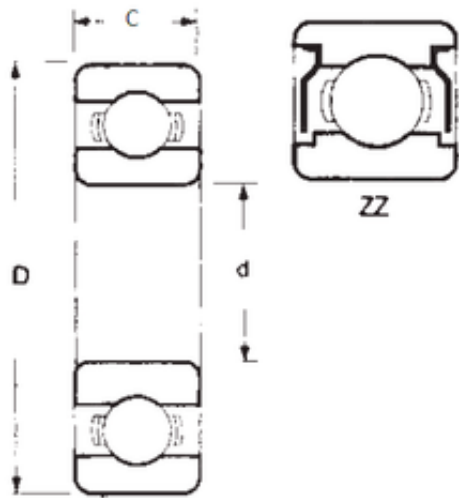




NACHI BEARINGS TRAINING INDUSTRY



100 mm x 140 mm x 20 mm FBJ 6920ZZ deep groove ball bearings

Bearing No. 6920ZZ

Size	100x140x20 mm
Bore Diameter	100 mm
Outer Diameter	140 mm
Width	20 mm
d	100 mm
D	140 mm
B	20 mm
C	20 mm
Weight	0,83 Kg
Basic dynamic load rating (C)	42,3 kN
Basic static load rating (C0)	41,5 kN

6920ZZ Bearing 2D drawings and 3D CAD models