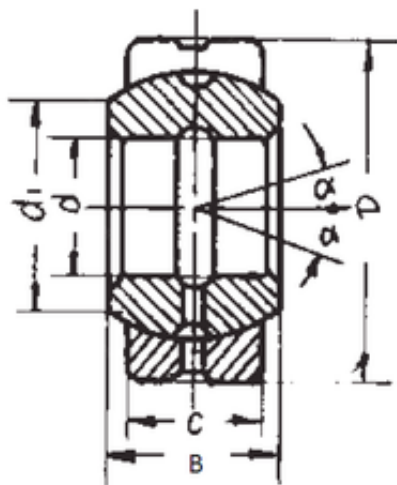




# NACHI BEARINGS TRAINING INDUSTRY



80 mm x 120 mm x 55 mm FBJ GE80ES plain bearings

Bearing No. GE80ES

Size	80x120x55 mm
Bore Diameter	80 mm
Outer Diameter	120 mm
Width	55 mm
d	80 mm
D	120 mm
B	55 mm
C	45 mm
d1	88 mm
Angle	6 °
Weight	2,31 Kg
Basic dynamic load rating (C)	400 kN

GE80ES Bearing 2D drawings and 3D CAD models