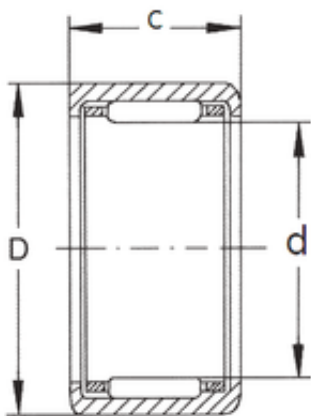




NACHI BEARINGS TRAINING INDUSTRY

FBJ HK1612 needle roller bearings



Bearing No. HK1612

Size	16x22x12 mm
Bore Diameter	16 mm
Outer Diameter	22 mm
Width	12 mm
d	16 mm
D	22 mm
C	12 mm
Weight	0,0117 Kg
Basic dynamic load rating (C)	7,1 kN
Basic static load rating (C0)	9,2 kN
(Grease) Lubrication Speed	8400 r/min

HK1612 Bearing 2D drawings and 3D CAD models