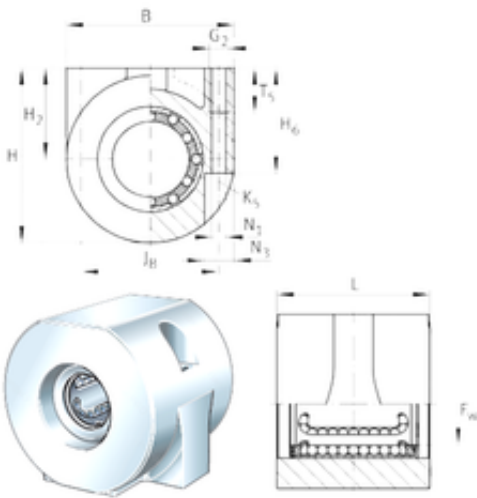




# NACHI BEARINGS TRAINING INDUSTRY



## INA KGHA40-PP bearing units

Bearing No. KGHA40-PP

Bore Diameter	40 mm
Width	78 mm
Fw	40 mm
H6	49 mm
B	78 mm
H	84 mm
H2	45 mm
L	71 mm
N1	6,7 mm
Thread (G)	M8
N2	11,1 mm
JB	66 mm
T5	20 mm
Thread (K5)	M6
Weight	1,434 Kg
Basic dynamic load rating (C)	5,3 kN

KGHA40-PP Bearing 2D drawings and 3D CAD models