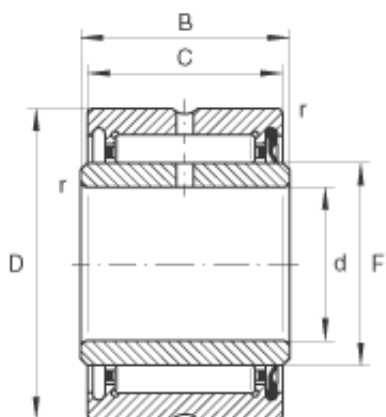




NACHI BEARINGS TRAINING INDUSTRY



50 mm x 72 mm x 23 mm INA NA4910-RSR
needle roller bearings

Bearing No. NA4910-RSR

NA4910-RSR Bearing 2D drawings and 3D CAD models

Size	50x72x23 mm
Bore Diameter	50 mm
Outer Diameter	72 mm
Width	23 mm
d	50 mm
D	72 mm
B	23 mm
C	22 mm
F	58 mm
r_{\min}	0,6 mm
m	295 g / Weight
C_r	45000 N / Dynamic load rating (radial)
C_{0r}	64000 N / Static load rating (radial)
C_{ur}	10600 N / Fatigue limit load, radial
$n_{G\text{Fett}}$	3500 1/min / Limiting speed for grease lubrication
Category	Needle Non Thrust Roller Bearings
Inventory	0.0
Manufacturer Name	SCHAEFFLER GROUP
Minimum Buy Quantity	N/A
Weight / Kilogram	0.3
EAN	4012802701685
Product Group	B04270



NACHI BEARINGS TRAINING INDUSTRY

Rolling Element	Needle Roller Bearing
Component	Complete with Outer and Inner Ring
Enclosure	1 Seal
Self Aligning	No
Retainer	Yes
Number of Rows of Rollers	Single Row
Separable	Inner Ring - Both Sides
Closed End	No
Inch - Metric	Metric
Relubricatable	Yes
Thrust Bearing	No
Long Description	50MM Bore; 72MM Outside Diameter; 23MM Width; Needle Roller Bearing; Complete with Outer and Inner Ring; 1 Seal Enclosure; No Self Aligning; Retainer; Single Row of Rollers; Inner Ring - Both Sides Se
Other Features	Plain Inner Ring 2 Rib Outer Ring Precision Bearing Steel Cage Ground Raceway with Rib Oil Hole
Category	Needle Non Thrust Roller Bearing
UNSPSC	31171512
Harmonized Tariff Code	8482.40.00.00
Noun	Bearing
Keyword String	Needle
Manufacturer URL	http://www.ina.com
Manufacturer Item Number	NA4910RS
Weight / LBS	0.65
Width	0.906 Inch 23 Millimeter



NACHI BEARINGS TRAINING INDUSTRY

Bore	1.969 Inch 50 Millimeter
Outside Diameter	2.835 Inch 72 Millimeter