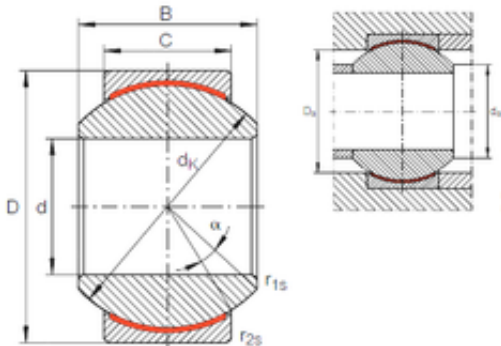




NACHI BEARINGS TRAINING INDUSTRY

12 mm x 26 mm x 16 mm INA GE 12 PW plain bearings



GE 12 PW Bearing 2D drawings and 3D CAD models

Bearing No. GE 12 PW

Size	12x26x16 mm
Bore Diameter	12 mm
Outer Diameter	26 mm
Width	16 mm
d	12 mm
D	26 mm
B	16 mm
C	12 mm
dk	22,225 mm
r1 min.	0,3 mm
r2 min.	0,3 mm
da max	15,4 mm
Da min	19,5 mm
Angle	13 °
Weight	0,043 Kg
Basic dynamic load rating (C)	24 kN