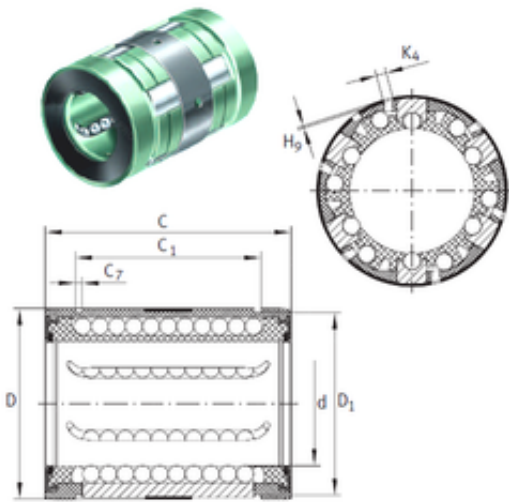




NACHI BEARINGS TRAINING INDUSTRY



INA KN50-B linear bearings

Bearing No. KN50-B

Size	50x75x100 mm
Bore Diameter	50 mm
Outer Diameter	75 mm
Width	100 mm
d	50 mm
D	75 mm
C	100 mm
C7	2,65 mm
H9	2,3 mm
K4	5 mm
b1	3 mm
C1	77,3 mm
D1	71,4 mm

KN50-B Bearing 2D drawings and 3D CAD models