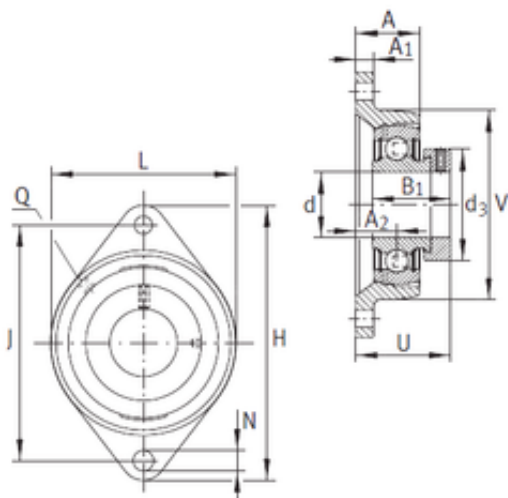




# NACHI BEARINGS TRAINING INDUSTRY



## INA PCJT20-N-FA125 bearing units

Bearing No. PCJT20-N-FA125

Bore Diameter	20 mm
d	20 mm
V	61 mm
U	42,5 mm
Thread (Q)	Rp1/8
d3	33 mm
A	28 mm
A1	10 mm
B1	31 mm
H	112 mm
J	90 mm
L	61 mm
N	11,5 mm
A2	19 mm
Weight	0,48 Kg
Basic dynamic load rating (C)	12,8 kN
Category	Flange Block Bearings
Inventory	0.0
Manufacturer Name	SCHAEFFLER GROUP
Minimum Buy Quantity	N/A
Weight / Kilogram	0.575
Product Group	M06110
Number of Mounting Holes	2
Mounting Method	Eccentric Collar
Housing Style	2 Bolt Flange Block
Rolling Element	Ball Bearing

PCJT20-N-FA125 Bearing 2D drawings and 3D CAD models



## NACHI BEARINGS TRAINING INDUSTRY

Housing Material	Cast Iron
Expansion / Non-expansion	Non-expansion
Mounting Bolts	11.5 Millimeter
Relubricatable	Yes
Insert Part Number	GRAE20NPPB
Seals	Double Lip Contact
Housing Configuration	1 Piece Solid
Pilot Configuration	No Pilot
Inch - Metric	Metric
Long Description	2 Bolt Flange Block; 20MM Bore; 90MM Bolt Circle; 90MM Bolt Spacing; 1 Piece Solid; Eccentric Collar Mount; Cast Iron; Ball Bearing; 31MM Length Thru Bore; Relubricatable; Double Lip Contact Seals
Other Features	Single Row   With Set Screw
Category	Flange Block
UNSPSC	31171501
Harmonized Tariff Code	8483.20.40.40
Noun	Bearing
Keyword String	Flanged
Manufacturer URL	<a href="http://www.ina.com">http://www.ina.com</a>
Manufacturer Item Number	PCJT20N-FA125
Weight / LBS	1.103
Cartridge Pilot Depth	0 Inch   0 Millimeter
Nominal Bolt Circle Diameter Round	3.5 Inch   90 Millimeter
Bore	0.787 Inch   20 Millimeter
Cartridge Pilot Diameter	0 Inch   0 Millimeter
Length Thru Bore	1.22 Inch   31 Millimeter
Bolt Spacing	3.543 Inch   90 Millimeter