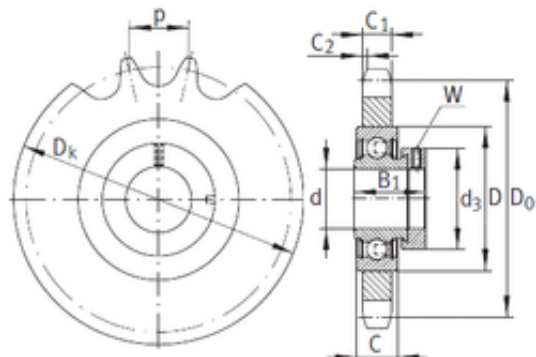




NACHI BEARINGS TRAINING INDUSTRY

INA KSR25-B0-08-10-19-08 bearing units



Bearing No. KSR25-B0-08-10-19-08

Bore Diameter	25 mm
d	25 mm
Number of teeth	19
Do	77,1 mm
Dk	82,5 mm
d3	37,3 mm
B1	31 mm
C	15 mm
C1	7 mm
D	52 mm
W	3 mm
C2	1,1 mm
Weight	0,29 Kg
1	DIN 8187

KSR25-B0-08-10-19-08 Bearing 2D drawings and 3D CAD models