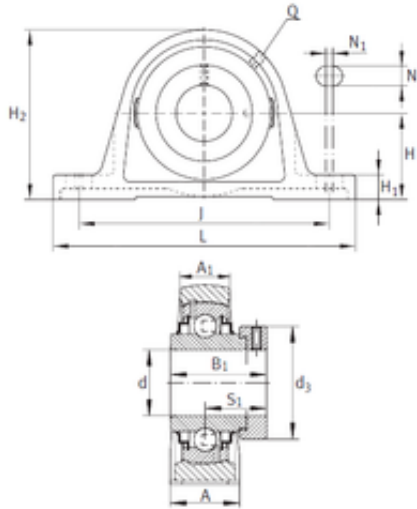




NACHI BEARINGS TRAINING INDUSTRY



INA RASE2-7/16 bearing units

Bearing No. RASE2-7/16

RASE2-7/16 Bearing 2D drawings and 3D CAD models

Bore Diameter	61,913 mm
d	61,913 mm
S1	46,889 mm
Thread (Q)	1/8 NPT
d3	83,998 mm
A	64,999 mm
A1	46,99 mm
B	77,902 mm
H	69,901 mm
H1	27,991 mm
H2	140 mm
J	189,256 mm
L	245 mm
N	18,009 mm
N1	12,243 mm
Category	Pillow Block Bearings
Inventory	0.0
Manufacturer Name	SCHAEFFLER GROUP
Minimum Buy Quantity	N/A
Weight / Kilogram	5.61
Product Group	M06110
Number of Mounting Holes	2
Mounting Method	Eccentric Collar
Housing Style	2 Bolt Pillow Block
Rolling Element	Ball Bearing
Housing Material	Cast Iron



NACHI BEARINGS TRAINING INDUSTRY

Expansion / Non-expansion	Non-expansion
Relubricatable	Yes
Insert Part Number	G1207KRRB
Seals	Double Land Riding Rubber Contact
Housing Configuration	1 Piece Solid
Inch - Metric	Inch
Other Features	Single Row Standard Shaft Height With Set Screw
Long Description	2 Bolt Pillow Block; 2-7/16" Bore; 2-3/4" Base to Center Height; Eccentric Collar Mount; Ball Bearing; 6-31/32" Minimum Bolt Spacing; 7.933" Bolt Spacing Maximum; Relubricatable; C
Category	Pillow Block
UNSPSC	31171511
Harmonized Tariff Code	8483.20.40.40
Noun	Bearing
Keyword String	Pillow Block
Manufacturer URL	http://www.ina.com
Manufacturer Item Number	RASE2-7/16
Weight / LBS	12.348
Base to Center Height	2.75 Inch 69.85 Millimeter
Nominal Bolt Center to Center	7.3 Inch 184 Millimeter
Bolt Spacing Minimum	6.969 Inch 177 Millimeter
Actual Bolt Center to Center	0 Inch 0 Millimeter
Bore	2.438 Inch 61.925 Millimeter
Bolt Spacing Maximum	7.933 Inch 201.5 Millimeter
Length Thru Bore	3.063 Inch 77.8 Millimeter