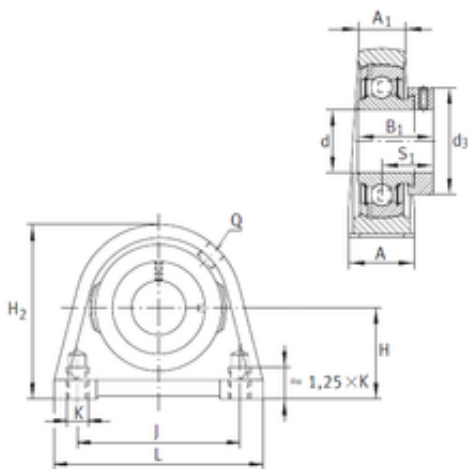




NACHI BEARINGS TRAINING INDUSTRY



PSHE15 Bearing 2D drawings and 3D CAD models

INA PSHE15 bearing units

Bearing No. PSHE15

Bore Diameter	15 mm
d	15 mm
Thread (Q)	M6
Thread (K)	M8
d3	28 mm
A	30 mm
A1	18 mm
B1	28,6 mm
H	30,2 mm
H2	57 mm
J	47 mm
L	63 mm
S	22,1 mm
Weight	0,44 Kg
Basic dynamic load rating (C)	9,8 kN
Category	Pillow Block Bearings
Inventory	0.0
Manufacturer Name	SCHAEFFLER GROUP
Minimum Buy Quantity	N/A
Weight / Kilogram	0.44
EAN	4012802064964
Product Group	M06110
Number of Mounting Holes	2
Mounting Method	Eccentric Collar
Housing Style	2 Bolt Tap Base Pillow Block
Rolling Element	Ball Bearing



NACHI BEARINGS TRAINING INDUSTRY

Housing Material	Cast Iron
Expansion / Non-expansion	Non-expansion
Mounting Bolts	8 Millimeter
Relubricatable	Yes
Insert Part Number	GRAE15NPPB
Seals	Double Lip Contact
Housing Configuration	1 Piece Solid
Inch - Metric	Metric
Other Features	Single Row With Set Screw
Long Description	2 Bolt Tap Base Pillow Block; 15MM Bore; 30.2MM Base to Center Height; Eccentric Collar Mount; Ball Bearing; Relubricatable; Cast Iron; Double Lip Contact; Non-expansion
Category	Pillow Block
UNSPSC	31171511
Harmonized Tariff Code	8483.20.40.40
Noun	Bearing
Keyword String	Pillow Block
Manufacturer URL	http://www.ina.com
Manufacturer Item Number	PSHE15
Weight / LBS	0.97
Actual Bolt Center to Center	1.9 Inch 47Millimeter
Base to Center Height	1.189 Inch 30.2 Millimeter
Nominal Bolt Center to Center	2 Inch 52 Millimeter
Length Thru Bore	1.85 Inch 47 Millimeter
Bolt Spacing Minimum	0 Inch 0Millimeter
Bolt Spacing Maximum	0 Inch 0Millimeter
Bore	0.591 Inch 15 Millimeter