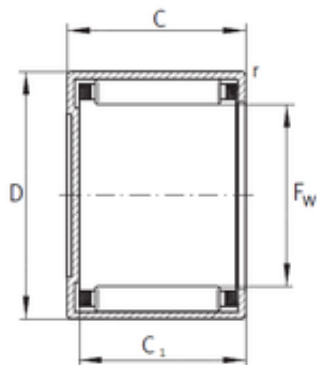




# NACHI BEARINGS TRAINING INDUSTRY

## INA BCE1816 needle roller bearings



BCE1816 Bearing 2D drawings and 3D CAD models

Bearing No. BCE1816

Size	28.575x34.925x25.4 mm
Bore Diameter	28,575 mm
Outer Diameter	34,925 mm
Width	25,4 mm
Fw	28,575 mm
D	34,925 mm
C	25,4 mm
Weight	0,04 Kg
Basic dynamic load rating (C)	26 kN
Basic static load rating (C0)	49,5 kN
Category	Needle Non Thrust Roller Bearings
Inventory	0.0
Manufacturer Name	SCHAEFFLER GROUP
Minimum Buy Quantity	N/A
Weight / Kilogram	0.04
EAN	4054364116743
Product Group	B04144
Rolling Element	Needle Roller Bearing
Component	Roller Assembly with Outer Ring - No Inner Ring
Enclosure	Open
Self Aligning	No
Retainer	Yes
Number of Rows of Rollers	Single Row
Separable	No



## NACHI BEARINGS TRAINING INDUSTRY

Closed End	Yes
Inch - Metric	Inch
Relubricatable	No
Thrust Bearing	No
Long Description	1-1/8" Bore; 1-3/8" Outside Diameter; 1" Width; Needle Roller Bearing; Roller Assembly with Outer Ring - No Inner Ring; Open Enclosure; No Self Aligning; Yes Retainer; Single Row of Rol
Other Features	1 Rib Outer Ring   Drawn Cup Bearing   Steel Cage
Category	Needle Non Thrust Roller Bearing
UNSPSC	31171512
Harmonized Tariff Code	8482.40.00.00
Noun	Bearing
Keyword String	Needle
Manufacturer URL	<a href="http://www.ina.com">http://www.ina.com</a>
Manufacturer Item Number	BCE1816
Weight / LBS	0.088
Width	1 Inch   25.4 Millimeter
Outside Diameter	1.375 Inch   34.925 Millimeter
Bore	1.125 Inch   28.575 Millimeter