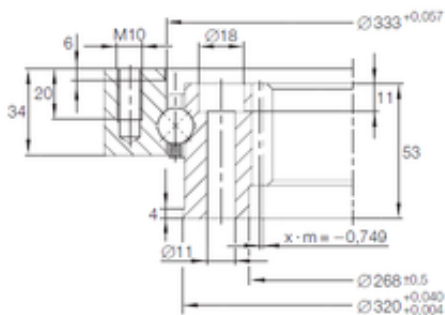




NACHI BEARINGS TRAINING INDUSTRY

INA VI 14 0326 V thrust ball bearings



Bearing No. VI 14 0326 V

Bore Diameter	250 mm
Outer Diameter	382 mm
d	250 mm
D	382 mm
Da	382 mm
Z	73 mm
b	40 mm
m	3,5 mm
H	59 mm
di	250 mm
Di	333 mm
da	320 mm
La	362 mm
na	8 mm
ni	8 mm
Li	290 mm
d0	255,5 mm
Weight	18 Kg
Dynamic load rating radial (C)	78 kN
Dynamic load rating axial (C)	83 kN
Static load rating radial (C0)	93 kN

VI 14 0326 V Bearing 2D drawings and 3D CAD models