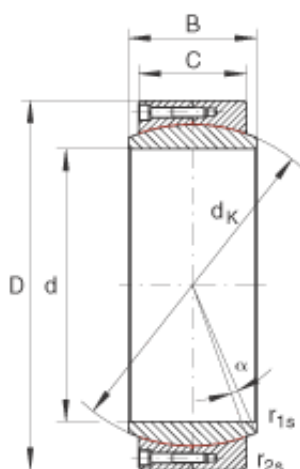




NACHI BEARINGS TRAINING INDUSTRY



INA GE320-DW plain bearings

Bearing No. GE320-DW

Size	320x440x160 mm
Bore Diameter	320 mm
Outer Diameter	440 mm
Width	160 mm
C	135 mm
D _{a min}	361 mm
d _{a max}	344,6 mm
d _K	380 mm
r _{1s min}	1,1 mm
r _{2s min}	3 mm
alf (°)	4
Weight (kg)	76
C _r (N)	15390000
C _{0r} (N)	25650000
Category	Bearings
Inventory	0.0
Manufacturer Name	SCHAEFFLER GROUP
Minimum Buy Quantity	N/A
Weight / Kilogram	77.5
EAN	4012802539158
Product Group	B04264

GE320-DW Bearing 2D drawings and 3D CAD models