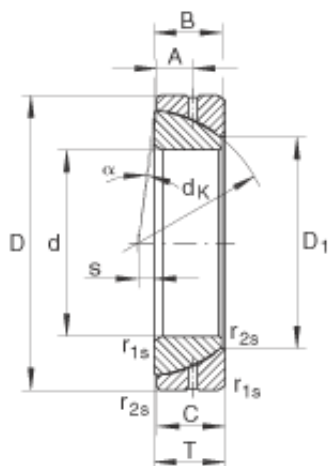




NACHI BEARINGS TRAINING INDUSTRY



INA GE30-SX plain bearings

Bearing No. GE30-SX

GE30-SX Bearing 2D drawings and 3D CAD models

Size	30x55x16 mm
Bore Diameter	30 mm
Outer Diameter	55 mm
Width	16 mm
T	17 mm
A	8,5 mm
C	16 mm
D ₁	36,1 mm
D _{a min}	40,5 mm
d _{a max}	34,6 mm
d _{b max}	45 mm
d _k	50 mm
D _{b min}	50,5 mm
r _{1s min}	1 mm
r _{2s min}	0,3 mm
s	2 mm
alf (°)	2,3
Weight (kg)	0,21
C _r (N)	64600
C _{0r} (N)	323000
Category	Spherical Plain Bearings - Thrust
Inventory	0.0
Manufacturer Name	SCHAEFFLER GROUP
Minimum Buy Quantity	N/A



NACHI BEARINGS TRAINING INDUSTRY

Weight / Kilogram	0.251
Product Group	B04264
Rolling Element	Spherical Plain
Self Aligning	Yes
Material - Outer Member	Steel
Material - Ball	Steel
Material - Liner	Not Applicable
Enclosure	Open
Relubricatable	Yes
Other Features	Angular Contact Single Direction
Long Description	30MM Bore; 55MM Housing Outside Diameter; 17MM Overall Width; Spherical Plain; Self Aligning; Steel Outer Member; Steel Ball; No Liner; 50.5MM Ball Outside Diam; 16MM Housing Width; Relubricatable
Inch - Metric	Metric
Category	Plain Bearings Spherical Thrust
UNSPSC	31171515
Harmonized Tariff Code	8483.30.80.70
Noun	Bearing
Keyword 3	Spherical
Keyword String	Plain Thrust Spherical
Manufacturer URL	http://www.ina.com
Manufacturer Item Number	GE30SX
Weight / LBS	0.463
Housing Outside Diameter	2.165 Inch 55 Millimeter
Ball Outside Diameter	1.988 Inch 50.5 Millimeter
Housing Width	0.63 Inch 16 Millimeter
Bore	1.181 Inch 30 Millimeter



NACHI BEARINGS TRAINING INDUSTRY

Overall Width

0.669 Inch | 17 Millimeter