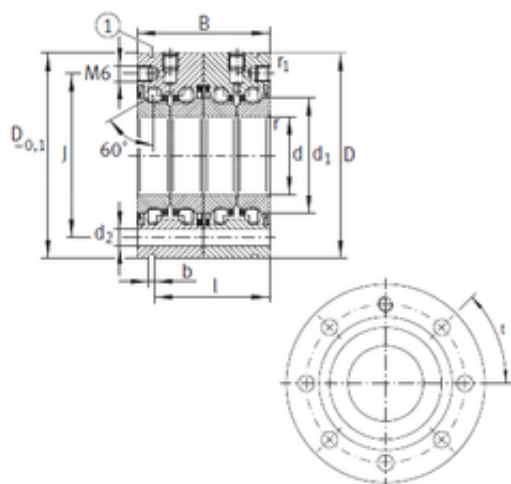




NACHI BEARINGS TRAINING INDUSTRY



40 mm x 100 mm x 68 mm INA
ZKLF40100-2RS-2AP thrust ball bearings

Bearing No. ZKLF40100-2RS-2AP

ZKLF40100-2RS-2AP Bearing 2D drawings and 3D CAD models

Size	40x100x68 mm
Bore Diameter	40 mm
Outer Diameter	100 mm
Width	68 mm
d	40 mm
D	100 mm
B	68 mm
C	68 mm
Screw	8X45 °
l	3 mm
Angle (?)	60 °
b	59 mm
d1	58 mm
d2	8,8 mm
r min.	0,3 mm
r1 min.	0,6 mm
J	80 mm
Bolt (G)	M8X80
Weight	2,92 Kg
Basic dynamic load rating (C)	70 kN
Basic static load rating (C0)	202 kN
Category	Angular Contact Ball Bearings
Inventory	0.0
Manufacturer Name	SCHAEFFLER GROUP



NACHI BEARINGS TRAINING INDUSTRY

Minimum Buy Quantity	N/A
Weight / Kilogram	3.497
EAN	4012802078800
Product Group	B00152
Enclosure	2 Seals
Flush Ground	No
Rolling Element	Ball Bearing
Number of Rows of Balls	Double Row
Precision Class	ABEC 1 ISO P0
Maximum Capacity / Filling Slot	No
Snap Ring	Yes
Cage Material	Plastic
Contact Angle	60 Degree
Internal Clearance	C0-Medium
Number of Bearings	2 (1 Pair)
Mounting Arrangement	Duplex-Face to Face
Inch - Metric	Metric
Long Description	40MM Bore; 100MM Outside Diameter; 68MM Width; 2 Seals; No Flush Ground; Ball Bearing; Double Row of Balls; ABEC 1 ISO P0; No Filling Slot; Yes Snap Ring; C0-Medium; Plastic Cage; 60 Degree; 2 (1 Pa
Other Features	With Fixing Holes With Snap Ring Groove Matched Pair Bearing
Category	Angular Contact Ball Bearing
UNSPSC	31171531
Harmonized Tariff Code	8482.10.50.28
Noun	Bearing
Keyword String	Angular Contact



NACHI BEARINGS TRAINING INDUSTRY

Manufacturer URL	http://www.ina.com
Weight / LBS	3.21875
Bore	1.575 Inch 40 Millimeter
Outside Diameter	3.937 Inch 100 Millimeter
Width	2.677 Inch 68 Millimeter