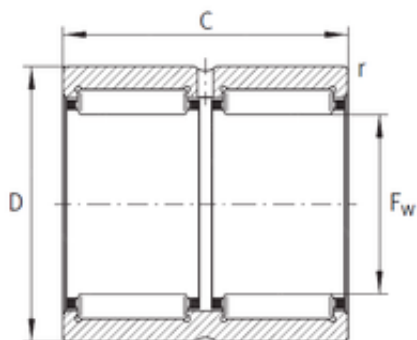




NACHI BEARINGS TRAINING INDUSTRY

INA RNA6909-ZW-XL needle roller bearings



Bearing No. RNA6909-ZW-XL

Size	52x68x40 mm
Bore Diameter	52 mm
Outer Diameter	68 mm
Width	40 mm
F _w	52 mm
D	68 mm
C	40 mm
r min.	0,6 mm
Weight	0,338 Kg
Basic dynamic load rating (C)	79 kN
Basic static load rating (C ₀)	127 kN
Fatigue load limit (P _u)	21,4
Reference speed	6 000 r/min

RNA6909-ZW-XL Bearing 2D drawings and 3D CAD models