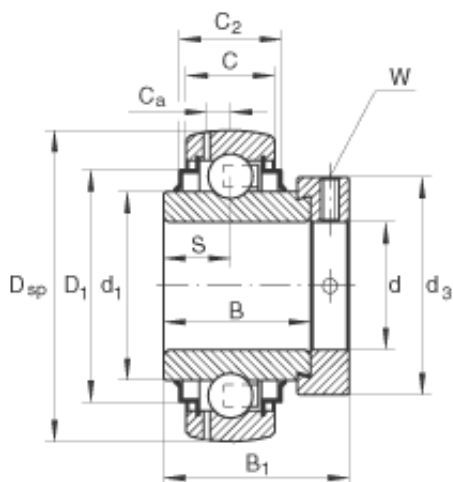




NACHI BEARINGS TRAINING INDUSTRY



INA GE40-KLL-B deep groove ball bearings

Bearing No. GE40-KLL-B

Size	40x80x56.5 mm
Bore Diameter	40 mm
Outer Diameter	80 mm
Width	56,5 mm
d	40 mm
D _{SP}	80 mm
B ₁	56,5 mm
B	42,9 mm
C	21 mm
C ₂	28,1 mm
C _a	6,4 mm
D ₁	68,3 mm
d ₁	52,3 mm
d _{3 max}	58 mm
S	21,4 mm
W	5 mm
m	0,75 kg / Weight
C _r	34500 N / Dynamic load rating (radial)
C _{0r}	19800 N / Static load rating (radial)
Category	Insert Bearings Spherical OD
Inventory	0.0
Manufacturer Name	SCHAEFFLER GROUP
Minimum Buy Quantity	N/A

GE40-KLL-B Bearing 2D drawings and 3D CAD models



NACHI BEARINGS TRAINING INDUSTRY

Weight / Kilogram	0.886
EAN	4012802799958
Product Group	M06110
Inner Race Profile	Wide Inner Ring
Outer Race Profile	Spherical
Relubricatable	Yes
Seal Type	Double Non Contact Labyrinth
Mounting Method	Eccentric Collar
Rolling Element	Ball Bearing
Snap Ring	No
Long Description	40MM Bore; Wide Inner Ring; Ball Bearing; 56.3MM Length Thru Bore; 21MM Outer Race Width; 80MM Outside Diameter; Relubricatable; Double Non Contact Labyrinth Seal; Eccentric Collar Mounting Method; No
Inch - Metric	Metric
Other Features	Single Row With Set Screw Metric
Category	Insert Bearings
UNSPSC	31171536
Harmonized Tariff Code	8482.10.50.00
Noun	Bearing
Keyword String	Insert
Manufacturer URL	http://www.ina.com
Manufacturer Item Number	GE40KLLHB
Weight / LBS	1.632
Outer Race Width	0.827 Inch 21 Millimeter
Bore	1.575 Inch 40 Millimeter
Outside Diameter	3.15 Inch 80 Millimeter
Length Thru Bore	2.217 Inch 56.3 Millimeter



NACHI BEARINGS TRAINING INDUSTRY