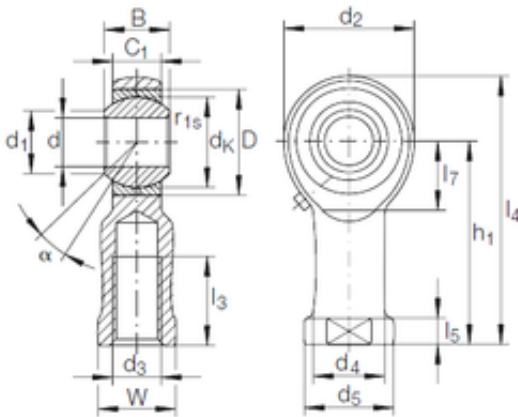




NACHI BEARINGS TRAINING INDUSTRY

14 mm x 28 mm x 19 mm INA GIKL 14 PB plain bearings

Bearing No. GIKL 14 PB



GIKL 14 PB Bearing 2D drawings and 3D CAD models

Size	14x28x19 mm
Bore Diameter	14 mm
Outer Diameter	28 mm
Width	19 mm
d	14 mm
D	28 mm
B	19 mm
d1	16,8 mm
d2	36 mm
d4	21 mm
dk	25,4 mm
h1	57 mm
l3 min.	25 mm
l4 max.	75 mm
l5	8 mm
l7 min.	18 mm
r1 min.	0,3 mm
C1	13,5 mm
W	22 mm
Thread (G)	M14
Angle	16 °
d5	26 r/min
Weight	0,16 Kg
Basic dynamic load rating (C)	17 kN