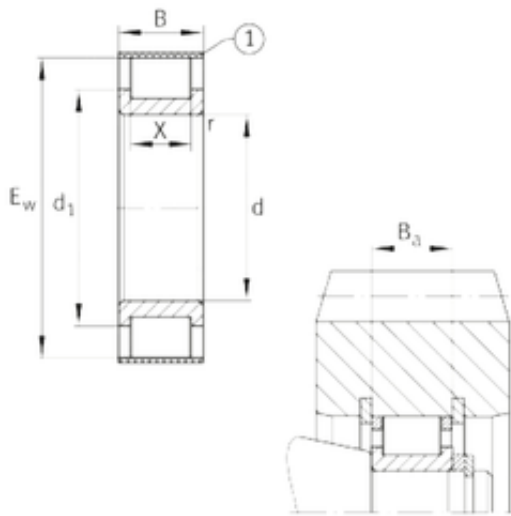




NACHI BEARINGS TRAINING INDUSTRY



INA RSL182236-A cylindrical roller bearings

Bearing No. RSL182236-A

Size	180x293.22x86 mm
Bore Diameter	180 mm
Outer Diameter	293,22 mm
Width	86 mm
d	180 mm
Ew	293,22 mm
B	86 mm
Ba	80,4 mm
X	62 mm
d1	232,4 mm
r min.	4 mm
Weight	20,7 Kg
Basic dynamic load rating (C)	36,545 kN

RSL182236-A Bearing 2D drawings and 3D CAD models