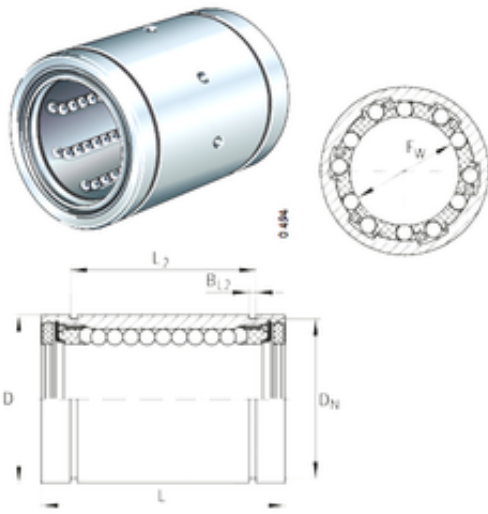




NACHI BEARINGS TRAINING INDUSTRY

INA KBS50 linear bearings

Bearing No. KBS50



KBS50 Bearing 2D drawings and 3D CAD models

Bore Diameter	50 mm
Outer Diameter	75 mm
Fw	50 mm
D	75 mm
Dn	72 mm
L2	77,3 mm
B3	1 mm
N2	4 mm
L	100 mm
BL2	2,65 mm
Angle (X)	64
Weight	1 Kg
Basic dynamic load rating (C)	9,2 kN