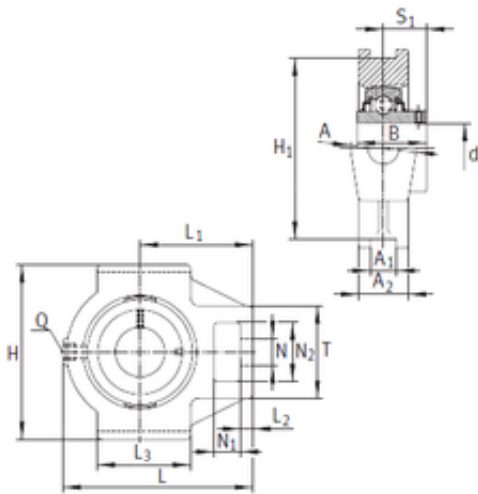




# NACHI BEARINGS TRAINING INDUSTRY



RTUEY65-214 Bearing 2D drawings and 3D CAD models

## INA RTUEY65-214 bearing units

Bearing No. RTUEY65-214

Bore Diameter	65 mm
d	65 mm
S1	44,4 mm
Thread (Q)	Rp1/8
L2	20 mm
L3	120 mm
A	70 mm
A1	25 mm
B	74,6 mm
H	166 mm
H1	151 mm
L	214 mm
L1	135 mm
N	41 mm
N1	35 mm
T	110 mm
A2	50 mm
N2	70 mm
Weight	7 Kg
Basic dynamic load rating (C)	62 kN
Category	Take Up Unit Bearings
Inventory	0.0
Manufacturer Name	SCHAEFFLER GROUP
Minimum Buy Quantity	N/A
Weight / Kilogram	7.32
EAN	4012802824049



## NACHI BEARINGS TRAINING INDUSTRY

Product Group	M06110
Component Description	Take Up Bearing Only
Rolling Element	Ball Bearing
Housing Style	Unit Only
Mounting Method	Set Screw
Compatible Take Up Frame	Not Specified
Adjustment Travel Length	0
Insert Part Number	GYE65214KRRB
Housing Material	Cast Iron
Other Features	Single Row   Spherical   Double Land Riding Rubber Contact Seal
Inch - Metric	Metric
Long Description	Take Up Bearing Only; 65MM Bore; 25MM Slot Width; 151MM Slot to Slot Distance; Ball Bearing; Unit Only; Set Screw Mount; GYE65214KRRB Insert Part; Cast Iron Housing Material
Category	Take Up Units
UNSPSC	31171533
Harmonized Tariff Code	8483.20.40.40
Noun	Bearing
Keyword String	Take Up
Manufacturer URL	<a href="http://www.ina.com">http://www.ina.com</a>
Weight / LBS	15.432
Slot to Slot Distance	5.945 Inch   151 Millimeter
Slot Width	0.984 Inch   25 Millimeter
Bore	2.559 Inch   65 Millimeter