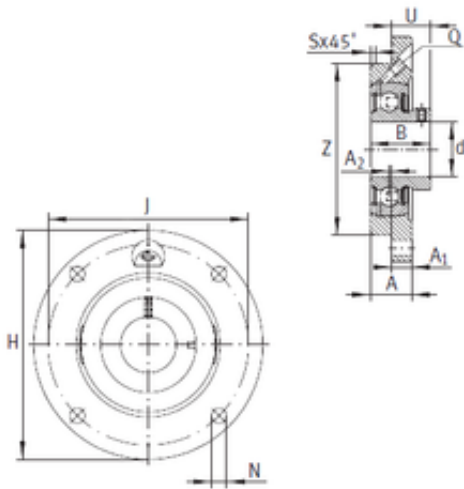




NACHI BEARINGS TRAINING INDUSTRY



PMEY50-N Bearing 2D drawings and 3D CAD models

INA PMEY50-N bearing units

Bearing No. PMEY50-N

Bore Diameter	50 mm
d	50 mm
U	31 mm
Thread (Q)	M8X1
Z	110 mm
A	25 mm
A1	13 mm
B	43 mm
H	165 mm
J	135 mm
N	14 mm
S	3 mm
A2	1 mm
Weight	2,03 Kg
Basic dynamic load rating (C)	35 kN
Category	Flange Block Bearings
Inventory	0.0
Manufacturer Name	SCHAEFFLER GROUP
Minimum Buy Quantity	N/A
Weight / Kilogram	0
EAN	4012802133677
Product Group	M06110
Number of Mounting Holes	4
Mounting Method	Set Screw
Housing Style	4 Bolt Round Flange Cartridge



NACHI BEARINGS TRAINING INDUSTRY

Rolling Element	Ball Bearing
Housing Material	Cast Iron
Expansion / Non-expansion	Non-expansion
Mounting Bolts	14 Millimeter
Relubricatable	Yes
Insert Part Number	GAY50NPPB
Seals	Double Lip Contact
Housing Configuration	1 Piece Solid
Pilot Configuration	With Pilot
Inch - Metric	Metric
Long Description	4 Bolt Round Flange Cartridge; 50MM Bore; 135MM Bolt Circle; 95.5MM Bolt Spacing; 1 Piece Solid; Set Screw Mount; Cast Iron; Ball Bearing; 43MM Length Thru Bore; Relubricatable; Double Lip Contact Sea
Other Features	Single Row Centering Spigot With Grub Screw
Category	Flange Block
UNSPSC	31171501
Harmonized Tariff Code	8483.20.40.40
Noun	Bearing
Keyword String	Flanged
Manufacturer URL	http://www.ina.com
Manufacturer Item Number	PMEY50N
Weight / LBS	6.439
Nominal Bolt Circle Diameter Round	5.3 Inch 135 Millimeter
Cartridge Pilot Diameter	4.331 Inch 110 Millimeter
Bolt Spacing	3.8 Inch 95.5 Millimeter
Length Thru Bore	1.693 Inch 43 Millimeter
Cartridge Pilot Depth	0.354 Inch 9 Millimeter



NACHI BEARINGS TRAINING INDUSTRY

Bore

1.969 Inch | 50 Millimeter