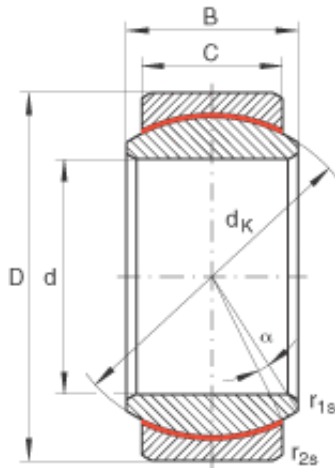




NACHI BEARINGS TRAINING INDUSTRY



INA GE12-UK plain bearings

Bearing No. GE12-UK

GE12-UK Bearing 2D drawings and 3D CAD models

| | |
|----------------------|------------------------------------|
| Size | 12x22x10 mm |
| Bore Diameter | 12 mm |
| Outer Diameter | 22 mm |
| Width | 10 mm |
| C | 7 mm |
| $D_{a\ min}$ | 17,5 mm |
| $d_{a\ max}$ | 14,9 mm |
| d_K | 18 mm |
| $r_{1s\ min}$ | 0,3 mm |
| $r_{2s\ min}$ | 0,3 mm |
| alf (°) | 11 |
| Weight (kg) | 0,016 |
| C_r (N) | 11300 |
| C_{Or} (N) | 28400 |
| Category | Spherical Plain Bearings - Radial |
| Inventory | 0.0 |
| Manufacturer Name | SCHAEFFLER GROUP |
| Minimum Buy Quantity | N/A |
| Weight / Kilogram | 0 |
| EAN | 4012802038187 |
| Product Group | B04264 |
| Component | Complete with Outer and Inner Ring |
| Self Aligning | Yes |
| Rolling Element | Spherical Plain Bearing |



NACHI BEARINGS TRAINING INDUSTRY

| | |
|--------------------------|--|
| Material - Outer Member | Steel |
| Material - Ball | Steel |
| Material - Liner | PTFE |
| Relubricatable | No |
| Enclosure | Open |
| Other Features | 2 Piece Axially Split Outer Ring |
| Long Description | 12MM Bore; 7MM Housing Width; 22MM Outside Diameter; Complete with Outer and Inner Ring; Self Aligning; Spherical Plain Bearing; Steel Outer Member; Steel Ball; PTFE Liner; Open; 10MM Overall Width; N |
| Inch - Metric | Metric |
| Category | Plain Bearings Spherical Radial |
| UNSPSC | 31171515 |
| Harmonized Tariff Code | 8483.30.80.70 |
| Noun | Bearing |
| Keyword 3 | Spherical |
| Keyword String | Plain Radial Spherical |
| Manufacturer URL | http://www.ina.com |
| Manufacturer Item Number | GE12UK |
| Weight / LBS | 0.035 |
| Bore | 0.472 Inch 12 Millimeter |
| Housing Width | 0.276 Inch 7 Millimeter |
| Overall Width | 0.394 Inch 10 Millimeter |
| Outside Diameter | 0.866 Inch 22 Millimeter |