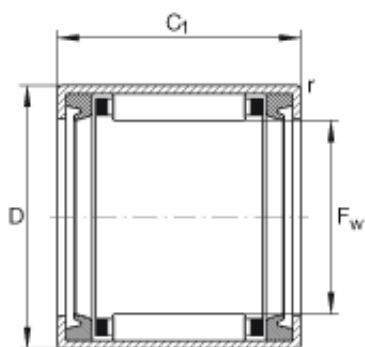




# NACHI BEARINGS TRAINING INDUSTRY



## INA HK1616-2RS needle roller bearings

Bearing No. HK1616-2RS

HK1616-2RS Bearing 2D drawings and 3D CAD models

Size	16x22x16 mm
Bore Diameter	16 mm
Outer Diameter	22 mm
Width	16 mm
$F_w$	16 mm
D	22 mm
$C_1$ - 16 mm / Tolerance: -0,3	16 mm / Tolerance: 0,3
$r_{min}$	0,8 mm
m	14 g / Weight
$C_r$	7600 N / Dynamic load rating (radial)
$C_{0r}$	9700 N / Static load rating (radial)
$C_{ur}$	1160 N / Fatigue limit load, radial
$n_{G\text{ Fett}}$	11000 1/min / Limiting speed for grease lubrication
	IR12X16X20 / Suitable inner ring
Category	Needle Non Thrust Roller Bearings
Inventory	0.0
Manufacturer Name	SCHAEFFLER GROUP
Minimum Buy Quantity	N/A
Weight / Kilogram	0
EAN	4012802043044
Product Group	B04144



## NACHI BEARINGS TRAINING INDUSTRY

Rolling Element	Needle Roller Bearing
Component	Roller Assembly with Outer Ring - No Inner Ring
Enclosure	2 Seals
Self Aligning	No
Retainer	Yes
Number of Rows of Rollers	Single Row
Separable	No
Closed End	No
Inch - Metric	Metric
Relubricatable	No
Thrust Bearing	No
Long Description	16MM Bore; 22MM Outside Diameter; 16MM Width; Needle Roller Bearing; Roller Assembly with Outer Ring - No Inner Ring; 2 Seals; Not Self Aligning; Retainer; Single Row of Rollers; Not Separable; Not CI
Other Features	2 Rib Outer Ring   Drawn Cup Bearing   Steel Cage
Category	Needle Non Thrust Roller Bearing
UNSPSC	31171512
Harmonized Tariff Code	8482.99.65.30
Noun	Roller Assembly with Outer Ring
Keyword String	Bearing Needle
Manufacturer URL	<a href="http://www.ina.com">http://www.ina.com</a>
Manufacturer Item Number	HK16162RS
Weight / LBS	0.031
Outside Diameter	0.866 Inch   22 Millimeter
Width	0.63 Inch   16 Millimeter
Bore	0.63 Inch   16 Millimeter



# NACHI BEARINGS TRAINING INDUSTRY