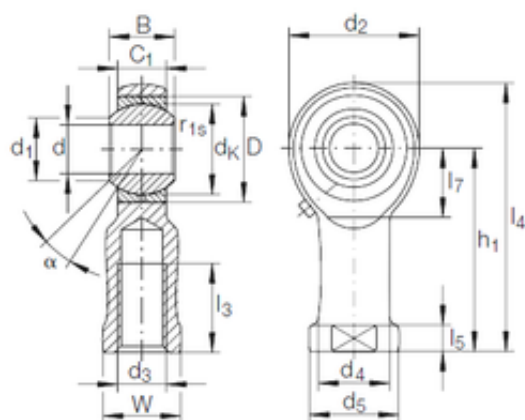




# NACHI BEARINGS TRAINING INDUSTRY

## 12 mm x 26 mm x 16 mm INA GIKL 12 PB plain bearings



Bearing No. GIKL 12 PB

Size	12x26x16 mm
Bore Diameter	12 mm
Outer Diameter	26 mm
Width	16 mm
d	12 mm
D	26 mm
B	16 mm
d1	15,4 mm
d2	32 mm
d4	17,5 mm
dk	22,225 mm
h1	50 mm
l3 min.	22 mm
l4 max.	66 mm
l5	6,5 mm
l7 min.	17 mm
r1 min.	0,3 mm
C1	12 mm
W	19 mm
Thread (G)	M12
Angle	13 °
d5	22 r/min
Weight	0,1 Kg
Basic dynamic load rating (C)	13,4 kN

GIKL 12 PB Bearing 2D drawings and 3D CAD models